

## DATA SHEET

# BAGGAGE CART | GW15-002-W



*Figure: GW15-002-W (similar to KGW)*

The **Baggage and Cargo Trailer GW15-002-W** from Blumenbecker Technik GmbH is designed for the **transport of baggage, cargo** and other loose loads, preferably for suitcases and larger bags.

Loading and unloading is usually done by hand, with the **side wall foldable** for easier access.

The baggage and cargo trailer has a **loading area** of approximately **2600 mm x 1310 mm**.

# QUICK SETUP

# EASY OPERATION

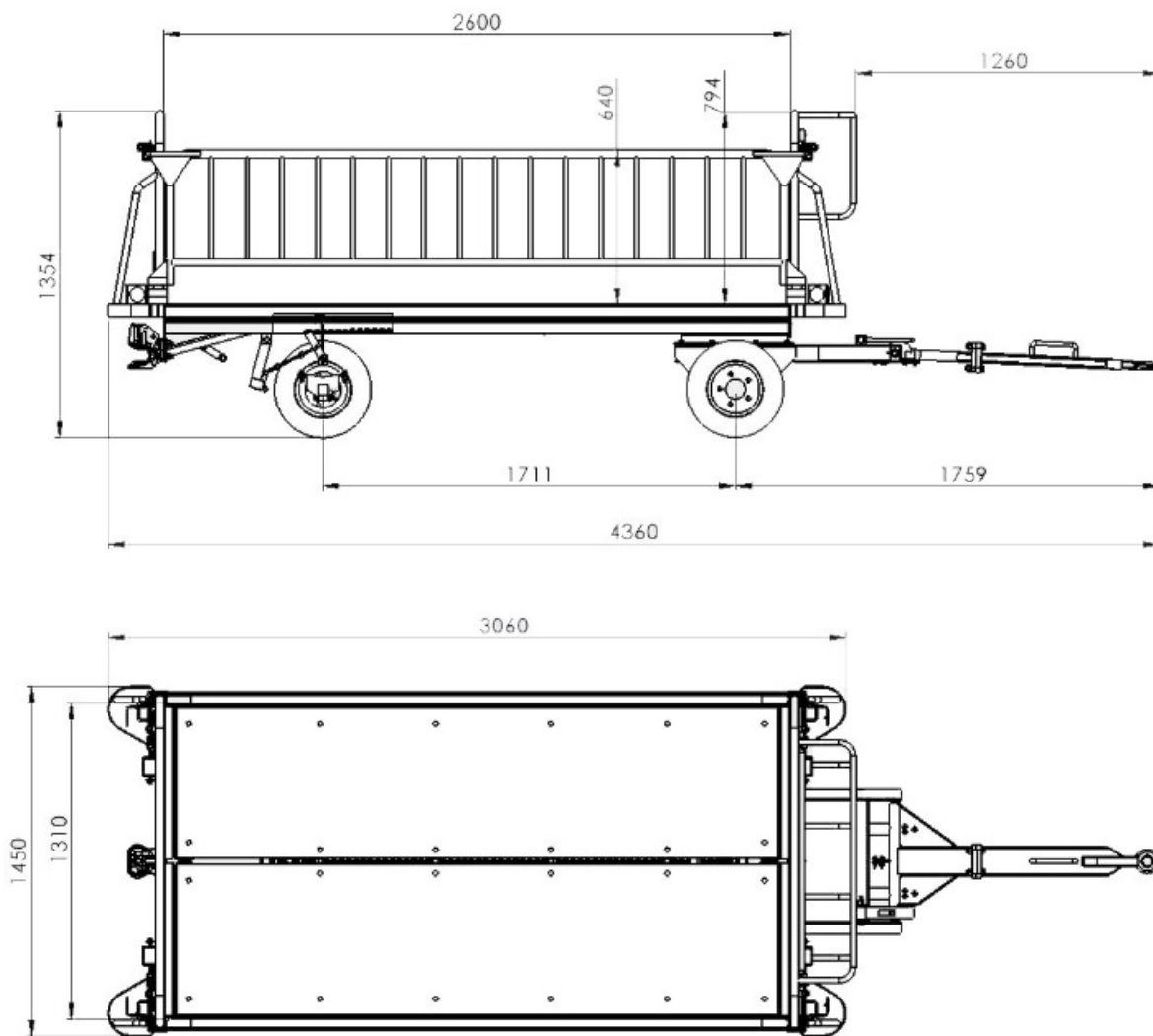
# SAFE WORKING



## Technical Specifications

Specification	Value
Total Length (Drawbar Up)	4360 mm
Total Length (Drawbar Down)	3350 mm
Track Width/Overall Width	ca. 1150 mm
Side Wall Height Left/Right	630 mm
Front and Rear Wall Height	800 mm
Wheelbase	1710 mm
Max. Driving Speed	25 km/h
TARA	ca. 529 kg
Load Capacity	1500 kg
Loading Area (LxWxH)	2600 mm x 1310 mm x 550 mm

## Technical Drawing



### YOUR CONTACT

Sales Airport Ground Support Equipment

T: +49 34636 714-0

F: +49 34636 714-29

E-Mail: [technik.schaftstaedt@blumenbecker.com](mailto:technik.schaftstaedt@blumenbecker.com)

Blumenbecker Technik GmbH, Bahnhofstraße 11b

06246 Bad Lauchstädt OT Schafstädt

[www.bt.blumenbecker.com](http://www.bt.blumenbecker.com)