

DATA SHEET

BAGGAGE CART | GW15-000-S



Figure: Baggage Cart GW15-000-S

The **Baggage and Cargo Trailer (GW15-000-S)** from Blumenbecker Technik GmbH is designed for the **transport of baggage and cargo items** and other loose loads, preferably for suitcases and larger bags.

Loading and unloading is typically done by hand, whereby the **tarpaulin bow can be folded down**. Additionally, the baggage cart is secured against unintended **rolling**

The baggage trailer has a **loading area of approx. 2000x1540mm**.

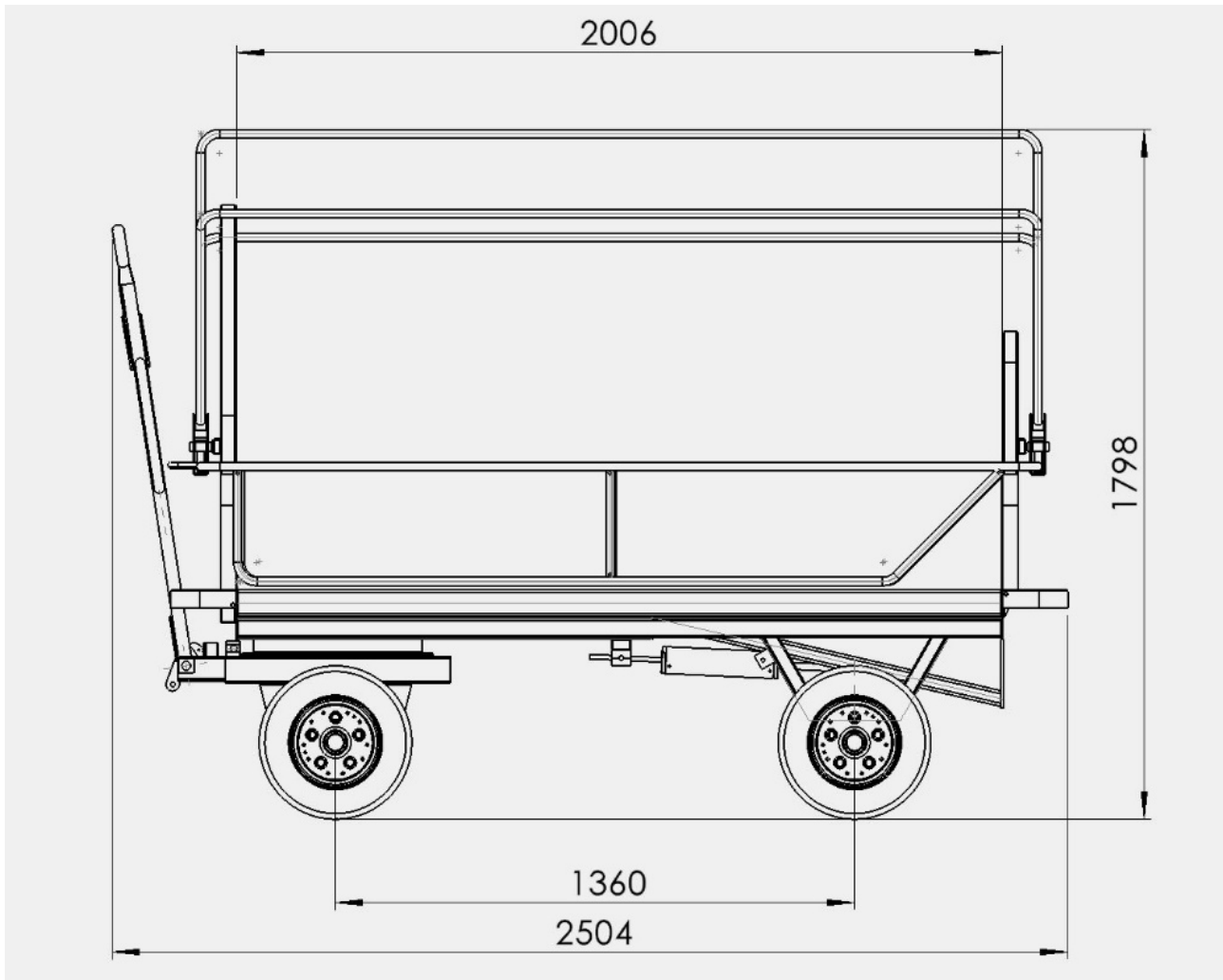
QUICK SETUP
EASY OPERATION
SAFE WORKING



Technical Specifications

Specification	Value
Total Length (Drawbar Up)	2500 mm
Total Length (Drawbar Down)	3450 mm
Overall Width	1660 mm
Overall Height	1798 mm
Max. Driving Speed	25 km/h
Net Weight	480 kg
Load Capacity	1500 kg
Loading Area	2000x1540 mm

Technical Drawing



YOUR CONTACT

Sales Ground Support Equipment

T: +49 34636 714-0

F: +49 34636 714-29

E-Mail: technik.schaftstaedt@blumenbecker.com

Blumenbecker Technik GmbH, Bahnhofstraße 11b

06246 Bad Lauchstädt OT Schafstädt

www.bt.blumenbecker.com